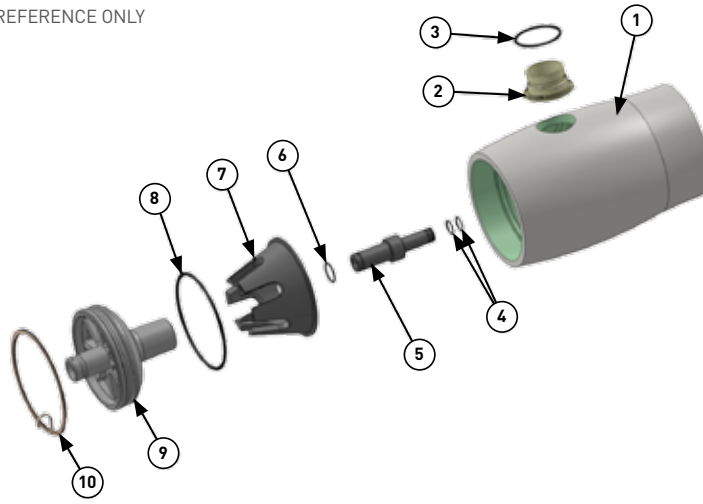


# CODELINE® - ECOLINE 8 INCH SERIES - 80-300, 80-450

The different parts of the Codeline Ecoline 8 Inch Series membrane housings are shown in the exploded view. The numbers on the exploded view are explained in the table.

## EXPLODED VIEW & DETAILS

A GENERIC VIEW FOR VISUAL REFERENCE ONLY



## PARTS TABLE

DRG REG	QTY	DESCRIPTION	MATERIAL	80-300	80-450
				PART NUMBER	PART NUMBER
1	1	Shell	Filament Wound Epoxy / Glass composites. Head Locking grooves integrally wound in place.	Order section	Order section
2	AR	1.5 Inch F / C Port	CF3M	98024	98024
3	AR	1.5 Inch F / C Port Seal	Ethylene Propylene	96077	96077
4*	4	PWT Seal	Ethylene Propylene - O Ring	As required	As required
5*	2	Adapter	Engineering Thermoplastic	As required	As required
6	2	Adapter Seal	Ethylene Propylene - O Ring	52245	52245
7	1	Thrust Cone	Engineering Thermoplastic	97014	97014
8	2	Head Seal	Ethylene Propylene - O Ring	96000	96000
9	2	Elliptical Head Sub Assembly	Engineering Thermoplastic	96668	96669
10	2	Retaining Ring	316 Stainless Steel	47336	47336
11**	AR	Saddle	Engineering Thermoplastic	52169	52169
12**	AR	Strap Assembly	304 Stainless Steel - PVC Cushion	45042	45042
13**	AR	Strap Screw	5/16-18 UNC, 18-8 Stainless Steel	46265	46265

\* Depends on membrane used

\*\* Not shown in the exploded view

## CODELINE®

PENTAIR WATER INDIA PVT. LTD. L / 52 - 55, VERNA INDUSTRIAL ESTATE, VERNA, GOA, INDIA - 403 722 WWW.CODELINE.COM

Note: The information and data contained in this document are based on our general experience and are believed to be correct. They are given in good faith and are intended to provide a guideline for the selection and use of our products. Since the conditions under which our products may be used are beyond our control, this information does not imply any guarantee of final product performance and we cannot accept any liability with respect to the use of our products. The quality of our products is guaranteed under our conditions of sale. Existing industrial property rights must be observed.

EV CODELINE ECOLINE 8 INCH SERIES EN 3915 © 2015 Pentair. All Rights Reserved.