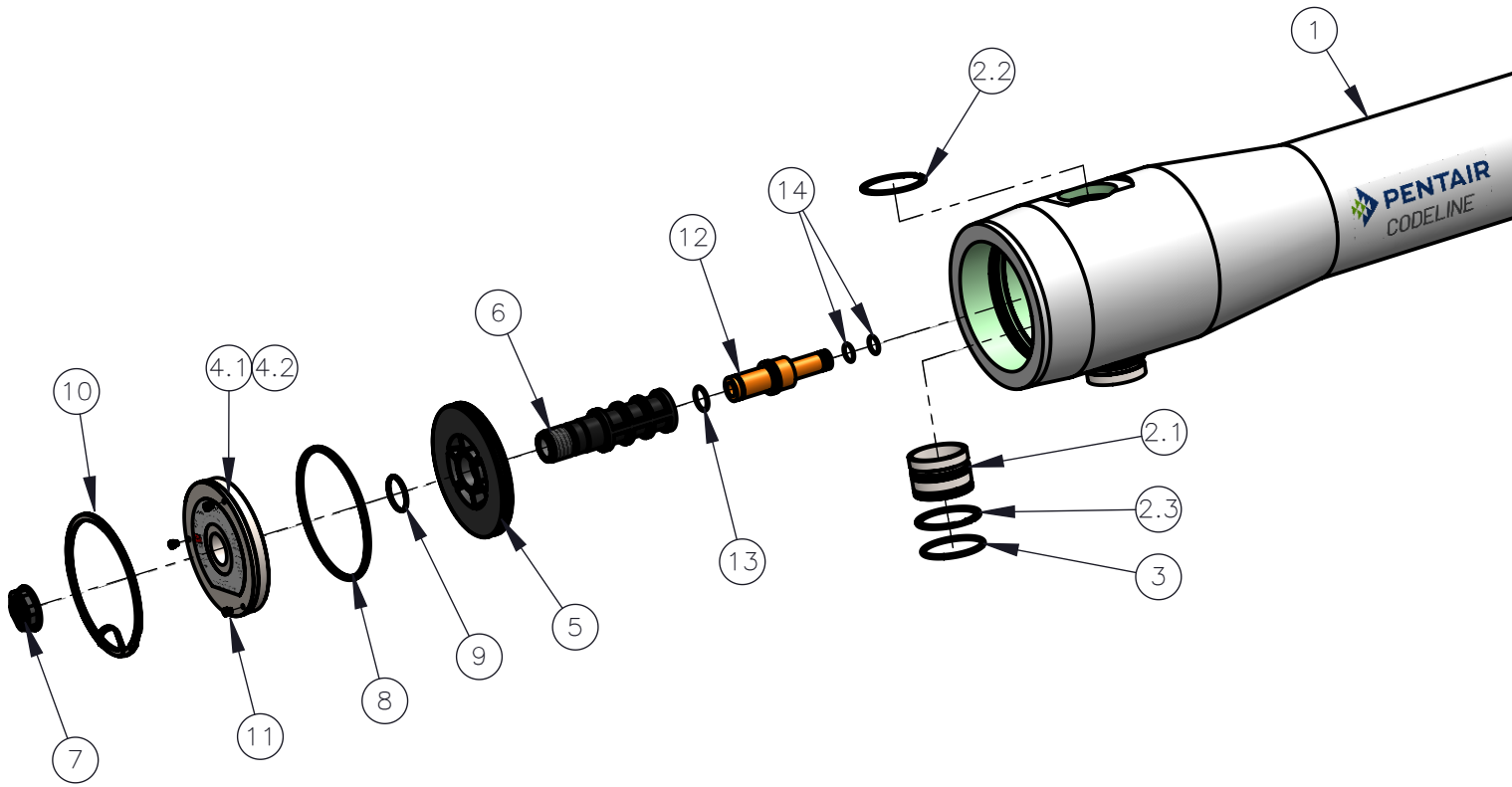


# 80K60-UPSTREAM



DWG REF	QTY.	PART NUMBER	DESCRIPTION	MATERIAL
<b>SHELL</b>				
1	1	200143	SHELL	FILAMENT WOUND EPOXY/GLASS COMPOSITE – HEAD LOCKING GROOVES INTEGRALLY WOUND IN PLACE
2.1	4	196572	3" F/C PORT	SA-351 CF3M
2.2	4	196595	3" FCP RETAINER RING 2 TURN	STAINLESS STEEL 316
2.3	4	196593	3" FCP RETAINER RING 3 TURN	STAINLESS STEEL 316
3	4	196641	3" F/C PORT SEAL	ETHYLENE PROPYLENE
<b>HEAD</b>				
4	2	196660	BEARING PLATE ASSEMBLY	–
4.1	1	196464	BEARING PLATE	SB-221 A96061-T6
4.2	1	196661	DANGER LABEL	–
5	2	96159	SEALING PLATE	ENGINEERING THERMOPLASTIC
6	2	96161	PERMEATE PORT	ENGINEERING THERMOPLASTIC
7	2	45066	PORT NUT	ENGINEERING THERMOPLASTIC
8	2	196223	HEAD SEAL	ETHYLENE PROPYLENE – O-RING
9	2	196215	PERM PORT SEAL	ETHYLENE PROPYLENE – O-RING
<b>HEAD INTERLOCK</b>				
10	2	196396	SPIRAL RING	SA-479 SS 316
11	6	196541	SOCKET HEAD CAP SCREW	1/4" – 20 UNC X .200" L, 316 STAINLESS STEEL
<b>ELEMENT INTERFACE</b>				
12	2	A/R	ADAPTER	ENGINEERING THERMOPLASTIC
13	2	196222	ADAPTER SEAL	ETHYLENE PROPYLENE – O-RING
14	4	A/R	PWT SEAL	ETHYLENE PROPYLENE – O-RING