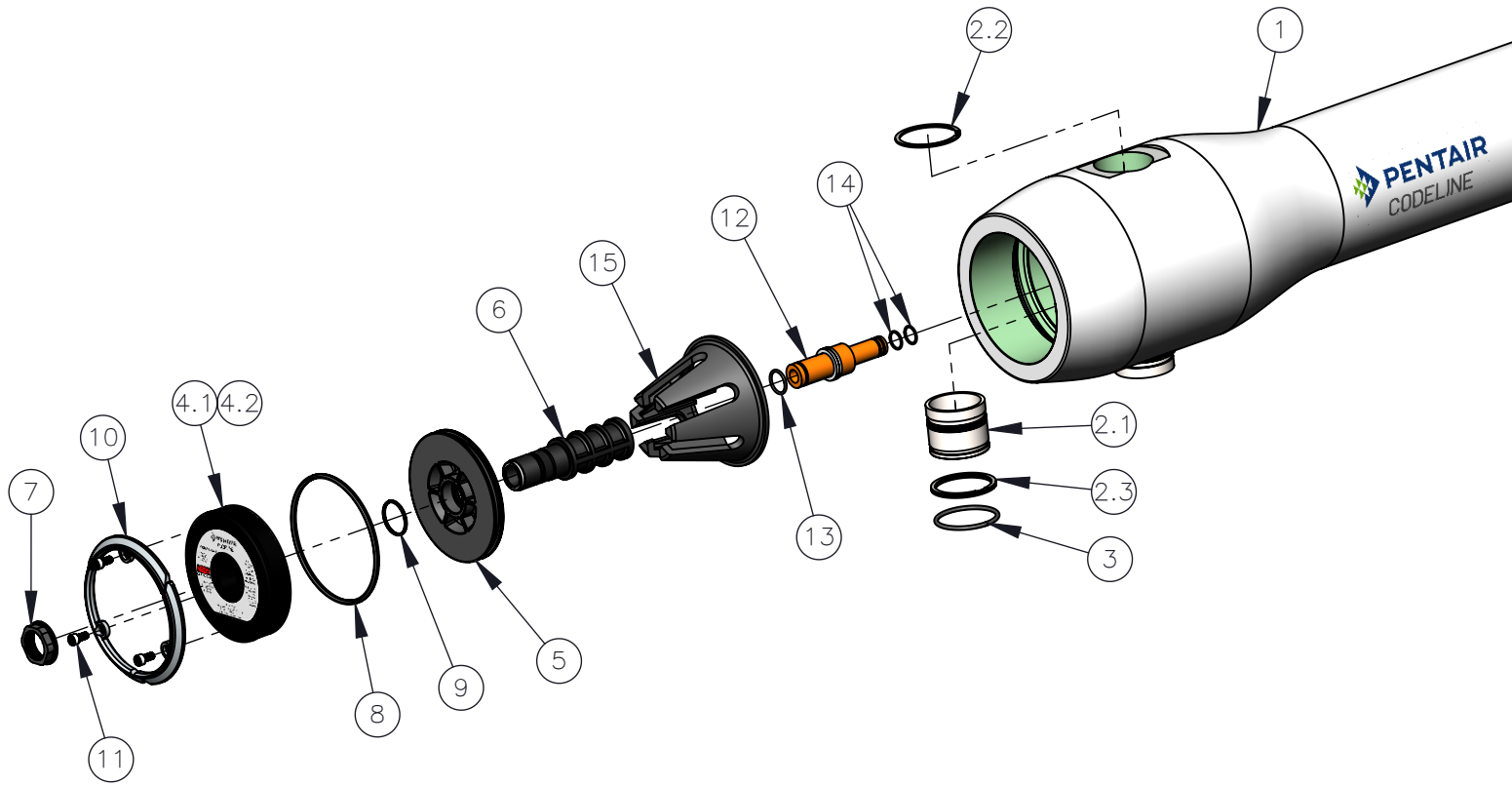


# 80K120-DOWNSTREAM



DWG REF	QTY.	PART NUMBER	DESCRIPTION	MATERIAL
<b>SHELL</b>				
1	1	200141	SHELL	FILAMENT WOUND EPOXY/GLASS
2.1	4	196438	3" F/C PORT	SA-995 CD3MWCuN
2.2	4	196595	3" FCP RETAINER RING 2 TURN	STAINLESS STEEL 316
2.3	4	196445	3" FCP RETAINER RING 4 TURN	STAINLESS STEEL 316
3	4	196641	3" F/C PORT SEAL	ETHYLENE PROPYLENE
<b>HEAD</b>				
4	2	196625	BEARING PLATE ASSEMBLY	—
4.1	1	196624	BEARING PLATE	SB-221 A96061-T6
4.2	1	196626	DANGER LABEL	—
5	2	96159	SEALING PLATE	ENGINEERING THERMOPLASTIC
6	2	96161	PERMEATE PORT	ENGINEERING THERMOPLASTIC
7	2	45066	PORT NUT	ENGINEERING THERMOPLASTIC
8	2	196223	HEAD SEAL	ETHYLENE PROPYLENE — O-RING
9	2	196215	PERM PORT SEAL	ETHYLENE PROPYLENE — O-RING
<b>HEAD INTERLOCK</b>				
10	6	196556	LOCKING SEGMENT	SA-351 CF8M
11	6	196565	ALLEN BOLT M10 X 20	M10X20MM L (A4-70), 316
<b>ELEMENT INTERFACE</b>				
12	2	A/R	ADAPTER	ENGINEERING THERMOPLASTIC
13	2	196222	ADAPTER SEAL	ETHYLENE PROPYLENE — O-RING
14	4	A/R	PWT SEAL	ETHYLENE PROPYLENE — O-RING
15	1	96163	THRUST CONE	ENGINEERING THERMOPLASTIC