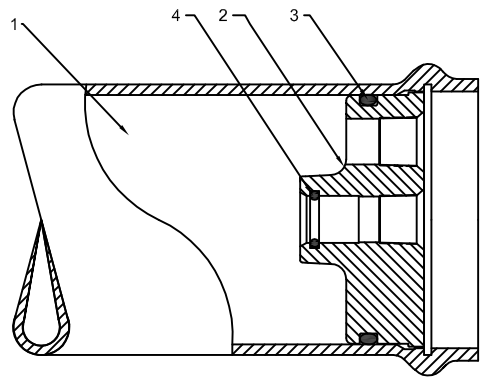
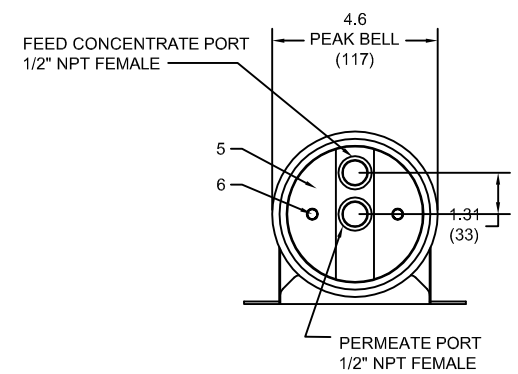
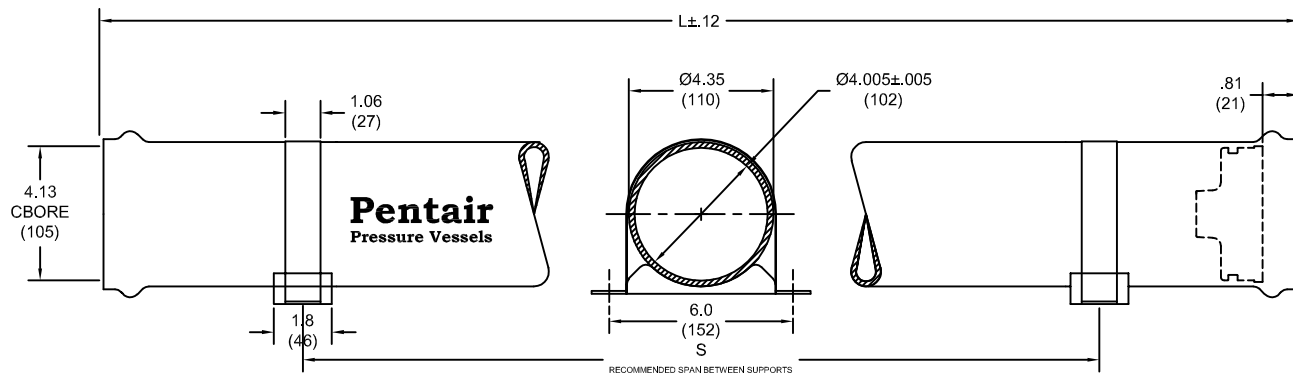


250
PSI



SECTION THROUGH END CLOSURE

NOTES
 - DIMENSIONS IN INCHES (MM APPROX)
 - NOT TO BE USED FOR CONSTRUCTION UNLESS CERTIFIED

Dwg. Ref.	Qty. Per	Part Number	Part Name	Materials/Remarks
SHELL				
1	1		Shell	Filament wound epoxy/glass composite. Head locking grooves integrally wound in place. Shell exterior coated with high gloss gray polyurethane paint.
HEAD				
2	2	96002	Bearing/Sealing Plate	PVC Thermoplastic (gray) - 120°F
3	2	45317	Plate Seal	EPDM
4	2	45296	PWT Seal	EPDM
HEAD INTERLOCK				
5	4	96001	Locking Segment	SS 304
6	4	45228	Screw	SS 304
VESSEL SUPPORT				
	2	45058	Saddle - OPTIONAL	Urethane Elastomer
	2	47459	Strap - OPTIONAL	304 SST - PVC Custlon

Shell Length Code	L	P	Approx. Empty Weight LB (KG)
	L.O.A. IN (MM)	Span IN (MM)	
1	44 (1118)	Any	9.00 (4.1)
2	84 (2134)	56 (1422)	16.0 (7.3)
3	124 (3150)	80 (2032)	23.0 (10.5)

Pentair
Pressure Vessels

MODEL 40-250
LOW PRESSURE MEMBRANE HOUSING

SCALE: NONE	EON 1153	SHEET 1 OF 2	SIZE B	NUMBER 99002	REV C
-------------	----------	--------------	--------	--------------	-------

RATING:

DESIGN PRESSURE.....250 PSI at 120°F
 (1.7 MPa @ 49°C)
 MIN. OPERATING TEMP.....20°F
 (-7°C)
 FACTORY TEST PRESSURE.....375 PSI
 (2.6 MPa)
 BURST PRESSURE.....1000 PSI
 (6.8 MPa)

INTENDED USE:

The Pentair Model 40 -250 Fiberglass RO Pressure Vessel is designed for continuous, long term use as a housing for reverse osmosis membrane elements to desalt typical brackish waters at pressures up to 250 psi. Any make of four-inch nominal diameter spiral -wound element with a 3/4" male product water tube is easily accommodated .

The Pentair model 40-250 must be installed, operated and maintained in accordance with the listed precautions and good industrial practice to assure safe operation over a long service life.

The high performance reinforced plastic shell must be allowed to expand under pressure; undue restraint at support points or piping connections can cause leaks to develop in the shell. The end closure, incorporating close fitting, interlocking metal components, must be kept dry and free of corrosion; deterioration can lead to catastrophic mechanical failure of the head.

Pentair Water will assist the purchaser in determining the suitability of this standard vessel for their specific operating conditions. The final determination however, including evaluation of the standard material of construction for compatibility with the specific corrosive environment, shall be the responsibility of the purchaser.

Specifications are subject to change without notice.

PRECAUTIONS:

- DO...read, understand and follow all instructions; failure to take every precaution will void warranty and may result in vessel failure
- DO...mount the shell on horizontal members at span "S" using complaint vessel supports furnished; tighten hold down straps just snug
- DO...provide overpressure protection for vessel set at not more than 105% of design pressure
- DO...inspect end closures regularly; replace components that have deteriorated and correct causes of corrosion
- DO NOT... make rigid piping connections to ports or clamp vessel in any way that resists growth of fiberglass shell under pressure; s DIA = 0.02 in. (0.5mm) and L = 0.2 in. (5mm) for a length code-6 vessel
- DO NOT... operate vessel at pressures and temperatures in excess of its rating
- DO NOT... operate vessel without permeate ports internally connected with a complete set of elements and interconnecting hardware
- DO NOT... operate vessel with permeate pressure in excess of 125 psi at 120°F (0.9 MPa @ 49°C)
- DO NOT... overtighten the connection to the permeate port (handtighten plus onequarter turn, check for leaks)
- DO NOT... tolerate leaks or allow end closures to be routinely wetted in any way
- DO NOT... work on any component until first verifying that pressure is relieved from vessel
- DO NOT... operate at pH levels below 3 or above 10

ORDERING:

Using the chart below, please check the features you require and fax them with your purchase order to our customer service department for expedited processing.
 For optional materials and/or features not listed below, please consult factory for pricing and availability.

VESSEL LENGTH CODE— please check one

Product	Part Number	
40-250-1	90000	<input type="checkbox"/>
40-250-2	90001	<input type="checkbox"/>
40-250-3	90002	<input type="checkbox"/>

EXTERIOR FINISH - please check one

- Standard— gray high-gloss polyurethane coating
- Option— optional colors are available for 50 or more vessels per order. Call factory for pricing details.