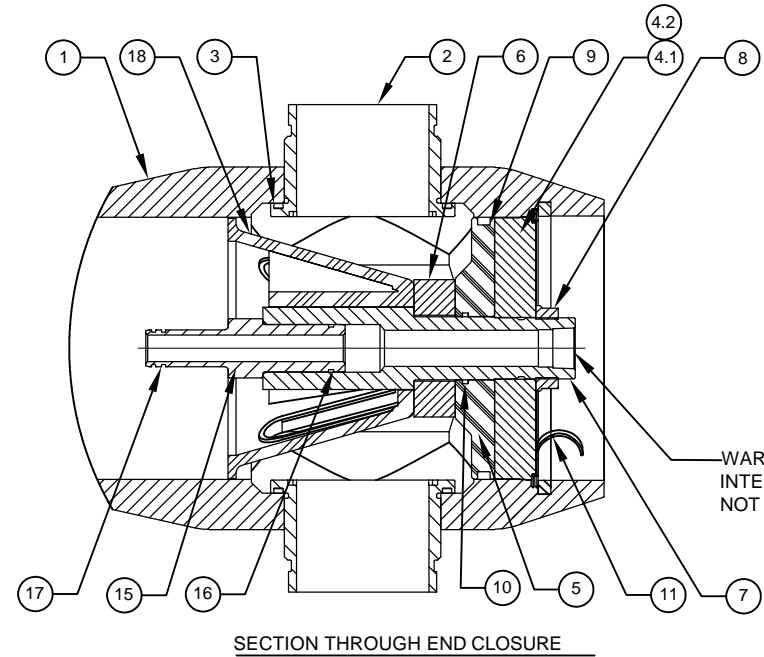


450
PSI

VIEW AT CENTER SUPPORT
CENTER VESSEL ON 2 OR 3 SUPPORTS
AT SPAN(S) "S" : 3 SUPPORTS REQUIRED
FOR LENGTHS -4 AND ABOVE



PORT SIZE CODE	
G	3" GROOVED END
I	4" GROOVED END

CAUTION: INCORRECT MANIFOLDING WILL CAUSE SEVERE LOCAL STRESS AROUND PORT AND MAY RESULT IN LEAKS AND PREMATURE FAILURE; TAKE EVERY PRECAUTION LISTED ON REVERSE, SEE INSTALLATION INSTRUCTIONS FOR FURTHER DETAILS

DWG REF	QTY	PART NUMBER	DESCRIPTION	MATERIAL
SHELL				
1	1	99284	SHELL	Filament Wound Epoxy/Glass composite - Head locking grooves integrally wound in place.
2	A/R	A/R	F/C Port	SA-351 CF3M
3	A/R	A/R	F/C Port Seal	Ethylene Propylene
HEAD				
4	2	194472	Bearing Plate Assembly	-
4.1	1	96157	Bearing Plate	SB-221 A96061-T6
4.2	1	97147	Danger Label	-
5	2	96159	Sealing Plate	Engineering Thermoplastic.
6	2	96262	Spacer	Engineering Thermoplastic.
7	2	96263	Permeate Port	Engineering Thermoplastic.
8	2	45066	Port Nut	Engineering Thermoplastic.
9	2	96000	Head Seal	Ethylene Propylene - O - Ring
10	2	45312	Perm Port Seal	Ethylene Propylene - O - Ring
HEAD INTERLOCK				
11	2	47336	Quick Release Spiral Ring	SA-479 316
VESSEL SUPPORT				
12	2*	52169	Saddle	Engineering Thermoplastic.
13	2*	45042	Strap Assy.	304 Stainless Steel-PVC Cushion.
14	4**	46265	Strap screw.	5/16-18 UNC,2.5" L, 18-8 Stainless Steel.
ELEMENT INTERFACE				
15	2	A/R	Adapter	Engineering Thermoplastic.
16	2	52245	Adapter seal	Ethylene Propylene - O - Ring
17	4	A/R	PWT Seal	Ethylene Propylene - O - Ring
18	1	96163	Thrust Cone	Engineering Thermoplastic.

* 3 & **6 each furnished with length code 4,5,6,7&8.

GENERAL NOTES:

1. MAX. ANGULAR VARIATION BETWEEN ANY PORT ±0.5°.
2. DIMENSION IN INCHES (MM APPROX.).
3. SHELL EXTERIOR COATED WITH WHITE RAL 9003, HIGH GLOSS POLYURETHANE PAINT.
4. ITEM 18 DOWNSTREAM ONLY.
5. NOT TO BE USED FOR CONSTRUCTION UNLESS CERTIFIED BY PENTAIR.
- # 450 PSI FOR METALLIC PERMEATE PORT. FOR OPTIONAL PART NUMBERS, REFER PAGE 3.
- ** WEIGHTS GIVEN IN THE TABLE ARE FOR HIGHEST CONFIGURATION AND WILL VARY WITH CHANGE IN CONFIGURATION.

THIS DOCUMENT AND THE INFORMATION CONTAINED HEREIN, ARE THE CONFIDENTIAL AND PROPRIETARY INFORMATION OF PENTAIR INDIA PVT. LTD. PENTAIR INDIA PVT. LTD. IS THE SOLE OWNER OF THE INFORMATION AND PROCESSES DEFINED HEREIN. THIS DOCUMENT, AND THE INFORMATION CONTAINED, MAY NOT BE DISCLOSED, REPRODUCED, DUPLICATED, USED, SOLD, PUBLISHED, COMMUNICATED OR OTHERWISE DISTRIBUTED, IN WHOLE OR IN PART, FOR ANY PURPOSE WITHOUT THE EXPRESS WRITTEN CONSENT OF PENTAIR INDIA PVT. LTD. THIS DOCUMENT AND ANY COPIES, IN ALL APPLICABLE FORMATS, SHALL BE RETURNED TO PENTAIR INDIA PVT. LTD. UPON REQUEST.

ALL INDICATED PENTAIR TRADEMARKS AND LOGOS ARE PROPERTY OF PENTAIR. THIRD PARTY REGISTERED AND UNREGISTERED TRADEMARKS AND LOGOS ARE PROPERTY OF THEIR RESPECTIVE OWNERS. BECAUSE WE ARE CONTINUOUSLY IMPROVING OUR PRODUCTS AND SERVICES, PENTAIR RESERVES THE RIGHT TO CHANGE SPECIFICATIONS WITHOUT PRIOR NOTICE. PENTAIR IS AN EQUAL OPPORTUNITY EMPLOYER.

© 2021 Pentair. All Rights Reserved.

		PORT LOCATION			VESSEL QTY.
		L	P	S	Approx Weight
Dash Length	L IN(MM)	P IN(MM)	S IN(MM)	IN(MM)	LB(KG)**
-1	63.25 (1607)	48 (1219)	9X1 (229)	119 (54)	
-2	103.25 (2623)	88 (2235)	49X1 (1245)	143 (65)	
-3	143.25 (3639)	128 (3251)	80X1 (2032)	167 (76)	
-4	183.25 (4655)	168 (4267)	64X2 (1626)	191 (87)	
-5	223.25 (5671)	208 (5283)	78X2 (1981)	215 (98)	
-6	263.25 (6687)	248 (6299)	92X2 (2337)	239 (109)	
-7	303.25 (7703)	288 (7315)	106X2 (2692)	263 (120)	
-8	343.25 (8719)	328 (8331)	120X2 (3048)	287 (131)	

PENTAIR
VERNA, GOA
CODELINE
INDIA

DRAWN BY:	KPS	DRAWING DESCRIPTION:	DRAWING NO.:	REV.:
DATE:	16/10/10	MODEL - 80U45 MEMBRANE HOUSING	99189	V
CHECKED BY:	RD	CUSTOMER NAME:	VESSEL MODEL:	
DATE:	16/10/10	-	80U45	
APPROVED BY:	RM	PROJECT NAME:	TOTAL QTY:	
DATE:	16/10/10	-	-	
ECN NO.:	6040	CUSTOMER P.O.#:	SIZE:	SCALE:
DATE:	25/04/22	-	A3	NONE
				PAGE NO.:
				01 OF 03

RATING:

DESIGN PRESSURE.....450 PSIG
(3.1MPa)
MAX. OPERATING TEMP.....190°F
(88°C)
MIN. OPERATING TEMP.....20°F
(-7°C)
FACTORY TEST PRESSURE.....CE/ASME
675 PSIG /495 PSIG
(4.65 MPa)/(3.41 MPa)
QUALIFICATION PRESSURE2700 PSI
(18.62 MPa)

INTENDED USE:

The CodeLine 80U45 Fiberglass RO Pressure Vessel is designed for continuous, long term use as housing for reverse osmosis membrane elements to desalt typical brackish waters at pressures up to 450 psi. Any make of eight-inch nominal diameter spiral-wound element is easily accommodated; the appropriate interfacing hardware for the element specified is furnished with the vessel.

The CodeLine 80U45 is designed in accordance with the engineering standards of the Boiler and Pressure Vessel Code of the American Society of Mechanical Engineers (ASME) Section X Edition 2021. F/C port, Bearing plate and Quick release spiral ring are designed as per ASME Section VIII Division I Edition 2021.

At small additional cost vessels can be inspected during construction by an ASME Authorized Inspector and ASME Code stamped.

The CodeLine 80U45 must be installed, operated and maintained in accordance with the listed precautions and good industrial practice to assure safe operation over a long service life.

The high performance Filament wound FRP shell must be allowed to expand under pressure; undue restraint at support points or piping connections can cause leaks to develop in the shell. This side-ported vessel requires special precautions in mounting and connection to piping so that the vessel will not be subjected to excessive stress due to bending moments acting at the side openings in the fiberglass shell. The end closure, incorporating close fitting, interlocking metal components, must be kept dry and free of corrosion; deterioration can lead to catastrophic mechanical failure of the head.

Pentair will assist the purchaser in determining the suitability of this standard vessel for their specific operating conditions. The final determination however, including evaluation of the standard material of construction for compatibility with the specific corrosive environment, shall be the responsibility of the purchaser. Alternate materials with enhanced corrosion resistance are available on special order.

Specifications are subject to change without notice.

PRECAUTIONS:

- DO...read, understand and follow all instructions; failure to take every precaution will void warranty and may result in vessel failure
- DO...mount the shell on horizontal members at span "S" using compliant vessel supports furnished; Shim saddles if required. Tighten hold down straps just snug
- DO...align and center side ports with the manifold header. Correct, causes of misalignment in a row of vessels connected to the same header
- DO...use flexible type IPS grooved-end pipe couplings, at side ports; allow full, 0.125 inch gap between port and piping, and position piping to maximize flexibility of connection.
- DO...provide flexibility in, and support for piping manifolds so that vessel can grow in length under pressure without undue restraint; provide additional flexible joints in large pipes leading to manifold header.
- DO...provide overpressure protection for vessel set at not more than 105% of design pressure
- DO...inspect end closures regularly; replace components that have deteriorated and correct causes of corrosion
- DO... Lubricate seals sparingly, using nonpetroleum based lubricants, i.e. Glycerin or suitable lubricants.
- DO NOT...work on any component until first verifying that pressure is relieved from vessel
- DO NOT...make rigid piping connections to ports or clamp vessel in any way that resists growth of fiberglass shell under pressure;
***ΔDIA = 0.015 in. (0.4mm) and
***ΔL = 0.2 in. (5mm) for a length code -8 vessel
- DO NOT... hang piping manifolds from ports or use vessel in any way to support other components
- DO NOT...tighten Permeate Port connection more than one turn past hand tight
- DO NOT... operate vessel without connecting both Permeate Ports internally to complete set of elements or otherwise plug ports internally so that external piping connection is not subjected to feed pressure
- DO NOT...install Spacer on downstream end of vessel
- DO NOT...operate vessel without Thrust Cone installed downstream
- DO NOT...pressurize vessel until double-checking to verify that the Locking Ring is in place and fully seated.
- DO NOT...operate vessel at pressure and temperature in excess of its rating.
- DO NOT...operate vessel with permeate pressure in excess of 125 psi at 190°F (0.86 Mpa at 88°C).
- DO NOT...tolerate leaks or allow end closures to be routinely wetted in any way
- DO NOT...operate outside the pH range 3-11.

For complete information on proper use of the vessel please refer to the 80U Series USER'S GUIDE 94315

ORDERING:

Using the chart below, please check the features you require

VESSEL LENGTH CODE – please check one

MODEL 80U45 -1 -2 -3 -4 -5 -6 -7 -8

MEMBRANE BRAND AND MODEL

Please supply adapters for the following membrane brand and specific model
Brand _____ Model _____

CERTIFICATION REQUIRED

- Hydro testing at 1.5 times the design pressure.
 CE Marked
- Hydro testing at 1.1 times the design pressure.
 ASME Stamped and National Board Registered.
 In compliance with the ASME Section X, but not Code Stamped

ADAPTER KITS	
UP STREAM	DOWN STREAM

PERMEATE PORT SELECTION

Serial Number End

Size of the Permeate Port 1" 1.25" 1.5"
Type of Connection FNPT MNPT BSPTM BSPTF IPS GROOVED
Material of Construction Noryl SS316L Zeron 100

Non Serial Number End

Size of the Permeate Port 1" 1.25" 1.5"
Type of Connection FNPT MNPT BSPTM BSPTF IPS GROOVED
Material of Construction Noryl SS316L Zeron 100

Note:

- Standard offering is 1.0" FNPT in Noryl.
- 1.25" & 1.5" BSPTF, 1.25" & 1.5" FNPT connections cannot be offered

STRAP ASSEMBLY

SS304 SS316 SS316L

FEED/CONCENTRATE PORT SELECTION

Material of Construction CF3M Duplex SS (CD3MN) Super Duplex SS (CD3MWCuN)

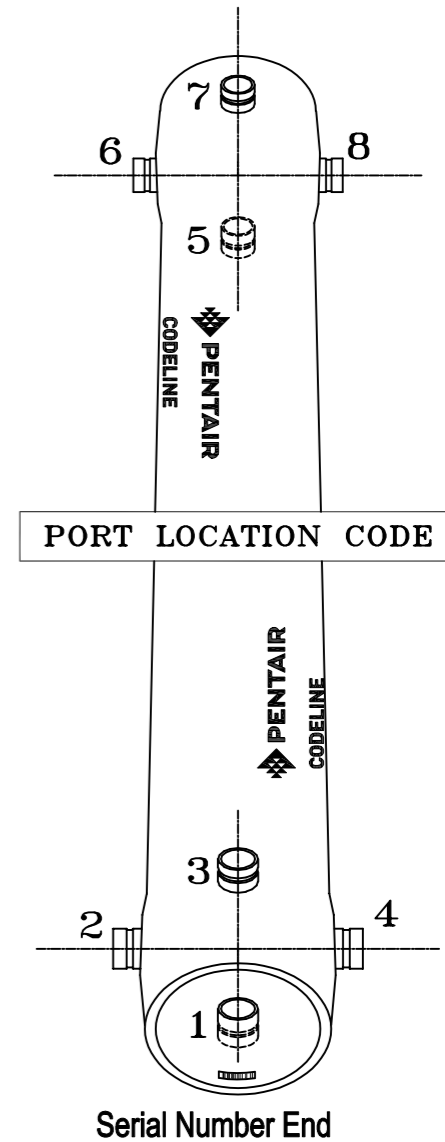
Configuration

CF3M H5I
 Multi port:
Ports not available in 90° configurations.

Serial number end
Opposite end

BEARING PLATE MATERIAL

A96061 T6 Aluminium
 Stainless Steel 316L



CODELINE BODY LABELS ARE PLACED AT 90° ON SERIAL NUMBER END AND AT 270° ON THE OPPOSITE SIDE END

GENERAL NOTES:

1. REFER PAGE-3 FOR OPTIONAL PART NUMBERS.

THIS DOCUMENT AND THE INFORMATION CONTAINED HEREIN, ARE THE CONFIDENTIAL AND PROPRIETARY INFORMATION OF PENTAIR INDIA PVT. LTD. PENTAIR INDIA PVT. LTD. IS THE SOLE OWNER OF THE INFORMATION AND PROCESSES DEFINED HEREIN. THIS DOCUMENT, AND THE INFORMATION CONTAINED, MAY NOT BE DISCLOSED, REPRODUCED, DUPLICATED, USED, SOLD, PUBLISHED, COMMUNICATED OR OTHERWISE DISTRIBUTED, IN WHOLE OR IN PART, FOR ANY PURPOSE WITHOUT THE EXPRESS WRITTEN CONSENT OF PENTAIR INDIA PVT. LTD. THIS DOCUMENT AND ANY COPIES, IN ALL APPLICABLE FORMATS, SHALL BE RETURNED TO PENTAIR INDIA PVT. LTD. UPON REQUEST.

ALL INDICATED PENTAIR TRADEMARKS AND LOGOS ARE PROPERTY OF PENTAIR. THIRD PARTY REGISTERED AND UNREGISTERED TRADEMARKS AND LOGOS ARE PROPERTY OF THEIR RESPECTIVE OWNERS. BECAUSE WE ARE CONTINUOUSLY IMPROVING OUR PRODUCTS AND SERVICES, PENTAIR RESERVES THE RIGHT TO CHANGE SPECIFICATIONS WITHOUT PRIOR NOTICE. PENTAIR IS AN EQUAL OPPORTUNITY EMPLOYER.

©2021 Pentair. All Rights Reserved.

		PENTAIR CODELINE		VERNA, GOA INDIA	
CHECKED BY: RD DATE: 16/10/10	APPROVED BY: RM DATE: 16/10/10	CUSTOMER NAME: -	PROJECT NAME: -	VESSEL MODEL: 80U45	TOTAL QTY: -
ECN NO.: 6040 DATE: 25/04/22	CUSTOMER P.O.#: -	SIZE: A3	SCALE: NONE	PAGE NO.: 02 OF 03	

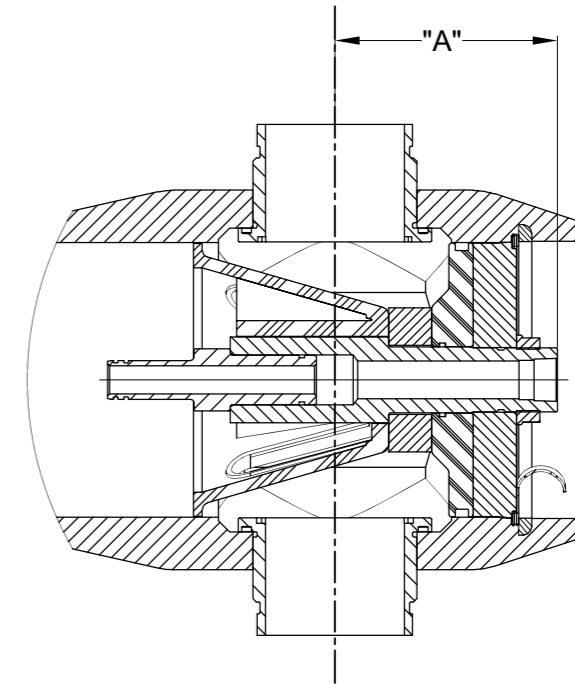
BEARING PLATE PART NUMBERS		
PERMEATE PORT SIZE	ALUMINIUM	SS F316L ###
1.0"/1.25"	194472	194534
1.5"	194503	194565

SEALING PLATE PART NUMBERS	
Standard used for Aluminium BP	96159
Optional used for SS F316L BP	97404

PERM PORT RETAINER RING & PORT NUT PART NUMBERS			
1.0" / 1.25"	Standard Port nut	Engineering Thermoplastic	45066
1.5"	Port Retainer Ring	Stainless Steel	45247

STRAP ASSEMBLY PART NUMBERS		
SS 304	SS 316	SS 316L
45042	46926 ⁺	94371 ⁺

F/C PORT & SEAL PART NUMBER				
SIZE	*CF3M	**CD3MN	***CD3MWCuN	SEAL
4"	96266	96884	96647	96265
3"	96567	97443	96659	98621



SECTION THROUGH END CLOSURE

PERMEATE PORT PART NUMBERS & PERMPORT TO F/C PORT OFFSET DISTANCE											
SIZE	MATERIAL	FNPT		MNPT		BSPTF		BSPTM		IPS GROOVED	
		PART NUMBER	DIM "A"	PART NUMBER	DIM "A"	PART NUMBER	DIM "A"	PART NUMBER	DIM "A"	PART NUMBER	DIM "A"
1.0"	NORYL	96263	6.8	97411	7.8	97414	6.8	97417	7.8	97420	8.1
	SS 316L # #	97410	6.8	97412	7.8	97415	6.8	97418	7.8	97421	8.1
	#ZERON 100	97296	6.8	97413	7.8	97416	6.8	97419	7.8	97422	8.1
1.25"	NORYL/PET	NA	NA	97467	7.8	NA	NA	97425	7.8	97428	8.1
	SS 316L # #	NA	NA	97423	7.8	NA	NA	97426	7.8	97429	8.1
	#ZERON 100	NA	NA	97424	7.8	NA	NA	97427	7.8	97430	8.1
1.5"	NORYL/PET	NA	NA	97431	7.4	NA	NA	97434	7.4	97437	8.0
	SS 316L # #	NA	NA	97432	7.4	NA	NA	97435	7.4	97438	8.0
	#ZERON 100	NA	NA	97433	7.4	NA	NA	97436	7.4	97439	8.0

GENERAL NOTES:

DIMENSIONS IN INCHES (MM APPROX.).

* GRADE SA-351 CF3M.

** GRADE SA-995 CD3MN (UNS J92205).

*** GRADE SA-995 CD3MWCuN (UNS J93380)

GRADE SA-479 UNS S32760/S32750

GRADE SA-479 316L

GRADE SA-182 F316L

+ OPTIONAL STRAP ASSEMBLY WITH SS-316 & 316L SHALL BE SUPPLIED AS PER METRIC STANDARDS.

THIS DOCUMENT AND THE INFORMATION CONTAINED HEREIN, ARE THE CONFIDENTIAL AND PROPRIETARY INFORMATION OF PENTAIR INDIA PVT. LTD. PENTAIR INDIA PVT. LTD. IS THE SOLE OWNER OF THE INFORMATION AND PROCESSES DEFINED HEREIN. THIS DOCUMENT, AND THE INFORMATION CONTAINED, MAY NOT BE DISCLOSED, REPRODUCED, DUPLICATED, USED, SOLD, PUBLISHED, COMMUNICATED OR OTHERWISE DISTRIBUTED, IN WHOLE OR IN PART, FOR ANY PURPOSE WITHOUT THE EXPRESS WRITTEN CONSENT OF PENTAIR INDIA PVT. LTD. THIS DOCUMENT AND ANY COPIES, IN ALL APPLICABLE FORMATS, SHALL BE RETURNED TO PENTAIR INDIA PVT. LTD. UPON REQUEST.

ALL INDICATED PENTAIR TRADEMARKS AND LOGOS ARE PROPERTY OF PENTAIR. THIRD PARTY REGISTERED AND UNREGISTERED TRADEMARKS AND LOGOS ARE PROPERTY OF THEIR RESPECTIVE OWNERS. BECAUSE WE ARE CONTINUOUSLY IMPROVING OUR PRODUCTS AND SERVICES, PENTAIR RESERVES THE RIGHT TO CHANGE SPECIFICATIONS WITHOUT PRIOR NOTICE. PENTAIR IS AN EQUAL OPPORTUNITY EMPLOYER.

© 2021 Pentair. All Rights Reserved.



DRAWN BY:	KPS	DRAWING DESCRIPTION:	MODEL - 80U45 MEMBRANE HOUSING	DRAWING NO.:	99189	REV.:	V
DATE:	16/10/10	CUSTOMER NAME:	-	VESSEL MODEL:	80U45		
CHECKED BY:	RD	PROJECT NAME:	-	TOTAL QTY:	-		
DATE:	16/10/10	ECN NO.:	6040	CUSTOMER P.O.#:	-	SIZE:	A3
APPROVED BY:	RM	SCALE:	NONE	PAGE NO.:	03 OF 03		
DATE:	16/10/10						