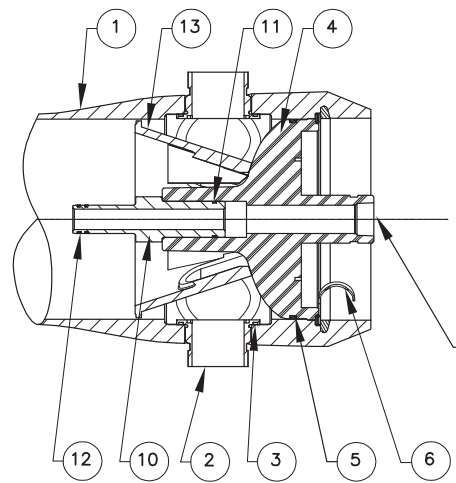


**VIEW AT CENTER SUPPORT**  
 CENTER VESSEL ON 2 OR 3 SUPPORTS  
 AT SPAN(S) "S": 3 SUPPORTS REQUIRED  
 FOR LENGTHS 4 AND OVER



**SECTION THROUGH END CLOSURE**

**CAUTION: INCORRECT MANIFOLDING  
 WILL CAUSE SEVERE LOCAL STRESS  
 AROUND PORT AND MAY RESULT IN  
 LEAKS AND PREMATURE FAILURE;  
 TAKE EVERY PRECAUTION LISTED  
 ON REVERSE. SEE INSTALLATION  
 INSTRUCTIONS FOR FURTHER DETAILS**

**WARNING**  
 INTERNAL PORT PRESSURE  
 NOT TO EXCEED 125 PSI.

DWG REF	QTY	PART NUMBER	DESCRIPTION	MATERIAL
<b>SHELL</b>				
1	1	99218	SHELL	Filament Wound Epoxy/Glass composites - Head locking grooves integrally wound in place.
2	A/R	A/R	F/C Port	CF3M *
3	A/R	A/R	F/C Port Seal	Ethylene Propylene .
<b>HEAD - NON CODED</b>				
4	2	96243	Elliptical Head Assy.	Engineering Thermoplastic.
5	2	96000	Head Seal	Ethylene Propylene - O - Ring
<b>HEAD INTERLOCK</b>				
6	2	47336	Quick Release Spiral Ring	316 Stainless Steel.
<b>VESSEL SUPPORT</b>				
7	2*	52169	Saddle	Engineering Thermoplastic.
8	2*	45042	Strap Assy.	304 Stainless Steel-PVC Cushion.
9	4	46265	Strap screw.	5/16-18 UNC, 2.5" L, 18-8 Stainless Steel.
<b>ELEMENT INTERFACE</b>				
10	2	A/R	Adapter	Engineering Thermoplastic.
11	2	52245	Adapter seal	Ethylene Propylene - O - Ring
12	4	A/R	PWT Seal	Ethylene Propylene - O - Ring
13	1	97014	Thrust Cone	Engineering Thermoplastic.
+ 3 each furnished with length code 4,5,6,7 & 8.				

**NOTES:-**  
 ♦ MAX. ANGULAR VARIATION BETWEEN ANY PORTS  $\pm 0.5^\circ$ .  
 ♦ DIMENSION IN INCHES (MM APPROX.).  
 ♦ SHELL EXTERIOR COATED WITH WHITE RAL 9003, HIGH GLOSS POLYURETHANE PAINT.  
 ♦ NOT TO BE USED FOR CONSTRUCTION UNLESS CERTIFIED.  
 ♦ ITEM 13 DOWNSTREAM ONLY.  
 \* GRADE CF3M PER ASME SA-351.  
 \*\* WEIGHTS GIVEN IN THE TABLE ARE FOR HIGHEST CONFIGURATION AND WILL VARY WITH CHANGE IN CONFIGURATION.

Dash Length	L IN(MM)	P IN(MM)	S IN(MM)	Approx Weight LB(KG)**
-1	59.15 (1502)	47 (1194)	23X1 (584)	56 (25)
-2	99.15 (2518)	87 (2210)	56X1 (1422)	69 (31)
-3	139.15 (3534)	127 (3226)	80X1 (2032)	81 (37)
-4	179.15 (4550)	167 (4242)	64X2 (1626)	94 (43)
-5	219.15 (5566)	207 (5258)	78X2 (1981)	106 (48)
-6	259.15 (6582)	247 (6274)	92X2 (2337)	119 (54)
-7	299.15 (7598)	287 (7290)	106X2 (2692)	130 (59)
-8	339.15 (8614)	327 (8306)	120X2 (3048)	142 (64)

DRAWN DATE	KR 05 NOV 07	ECN 4440		DWG. NO.	99172	REV.	Q
CHECKED DATE	MD 05 NOV 07	DATE	19MAY17	SCALE	NONE	SIZE	A3
APPROVED DATE	RM 05 NOV 07			SHEET	1 OF 2		

**PENTAIR**  
**CODELINE®**  
 MODEL - 80S30(NON-CODED)  
 MEMBRANE HOUSING

**RATING:**

DESIGN PRESSURE.....	300 PSIG (2.1MPa)
MAX OPERATING TEMP.....	190°F (88°C)
MIN. OPERATING TEMP.....	20°F (-7°C)
FACTORY TEST PRESSURE.....	450 PSIG (3.1 MPa)
QUALIFICATION PRESSURE .....	1800 PSI (12.4 MPa)

**INTENDED USE:**

The CodeLine 80S30 Non Coded Fiberglass RO Pressure Vessel is designed for continuous, long term use as a housing for reverse osmosis membrane elements to desalt typical brackish waters at pressures up to 300 psi. Any make of eight-inch nominal diameter spiral-wound element is easily accommodated; the appropriate interfacing hardware for the element specified is furnished with the vessel.

The Shell of CodeLine 80S30 Non Coded vessel is designed in accordance with the engineering standards of the Boiler and Pressure Vessel Code of the American Society of Mechanical Engineers (ASME) as per Section X. ASME Edition 2015.

The CodeLine 80S30 Non Coded vessel must be installed operated and maintained in accordance with the listed precautions and good industrial practice to assure safe operation over a long service life.

The high performance Filament wound FRP shell must be allowed to expand under pressure; undue restraint at support points or piping connections can cause leaks to develop in the shell. This side-ported vessel requires special precautions in mounting and connection to piping so that the vessel will not be subjected to excessive stress due to bending moments acting at the side openings in the fiberglass shell. The end closure, incorporating close fitting, interlocking metal components, must be kept dry and free of corrosion; deterioration can lead to catastrophic mechanical failure of the head.

Pentair will assist the purchaser in determining the suitability of this standard vessel for their specific operating conditions. The final determination however, including evaluation of the standard material of construction for compatibility with the specific corrosive environment, shall be the responsibility of the purchaser. Alternate materials with enhanced corrosion resistance are available on special order.

Specifications are subject to change without notice.

**PRECAUTIONS:**

- DO...read, understand and follow all instructions; failure to take every precaution will void warranty and may result in vessel failure
- DO...mount the shell on horizontal members at span “S” using compliant vessel supports furnished; Shim saddles if required. Tighten hold down straps just snug
- DO...align and center side ports with the manifold header. Correct, causes of misalignment in a row of vessels connected to the same header
- DO...use flexible type IPS grooved-end pipe couplings, at side ports; allow full, 0.125 inch gap between port and piping, and position piping to maximize flexibility of connection.
- DO...provide flexibility in, and support for piping manifolds so that vessel can grow in length under pressure without undue restraint; provide additional flexible joints in large pipes leading to manifold header.
- DO...provide overpressure protection for vessel set at not more than 105% of design pressure
- DO...inspect end closures regularly; replace components that have deteriorated and correct causes of corrosion
- DO... Lubricate seals sparingly, using nonpetroleum Based lubricants, i.e. Parker Super O-lube®, Glycerin or suitable silicone based lubricants.

- DO NOT...work on any component until first verifying that pressure is relieved from vessel
- DO NOT...make rigid piping connections to ports or clamp vessel in any way that resists growth of fiberglass shell under pressure;  
\*\*\*ΔDIA = 0.015 in. (0.4mm) and  
\*\*\*ΔL = 0.2 in. (6mm) for a length code –8 vessel
- DO NOT... hang piping manifolds from ports or use vessel in any way to support other components
- DO NOT...tighten Permeate Port connection more than one turn past hand tight
- DO NOT... operate vessel without connecting both Permeate Ports internally to complete set of elements or otherwise plug ports internally so that external piping connection is not subjected to feed pressure
- DO NOT...install Spacer on downstream end of vessel
- DO NOT...operate vessel without Thrust Cone installed downstream
- DO NOT...pressurize vessel until double-checking to verify that the Locking Ring is in place and fully seated.
- DO NOT...operate vessel at pressure and temperature in excess of its rating.
- DO NOT...operate vessel with permeate pressure in excess of 125 psi at 190°F (0.86 Mpa at 88°C).
- DO NOT...tolerate leaks or allow end closures to be routinely wetted in any way
- DO NOT...operate outside the pH range 3-11.

**ORDERING:**

Using the chart below, please check the features you require

**VESSEL LENGTH CODE – please check one**

MODEL 80S30 Non Coded  -1  -2  -3  -4  -5  -6  -7  -8

**MEMBRANE BRAND AND MODEL**

Please supply adapters for the following membrane brand and specific model  
Brand \_\_\_\_\_ Model \_\_\_\_\_

**CERTIFICATION REQUIRED**

- CE Marked Standard.
- Certified by Pentair.

**PERMEATE PORT CONFIGURATION:**

- Standard. 1” FNPT & 1.5” IPS GROOVED NORLYL HEAD.
- Optional .1” BSP F/JIS F Parallel Thread & 1.5” IPS GROOVED NORLYL HEAD.

**STRAP ASSEMBLY**

Standard SS304  Optional SS316  Optional SS316L

**FEED/CONCENTRATE PORT SELECTION**

Material of Construction  Standard CF3M  Optional Duplex SS (CD3MN)  
 Optional Super Duplex SS (CD3MWCuN)

Configuration  Standard - CF3M 1D5D  
 Optional – Multi ports :( Refer SPEC.SHEET/PM/1.5”-3”for Multi port selection)

Serial number end

Opposite end

PORT SIZE CODE	
D	1½” GROOVED END
E	2” GROOVED END
F	2½” GROOVED END

For complete information on proper use of the vessel  
Please refer to the 80S Series USER’S GUIDE 94182.

**CODELINE BODY LABELS ARE PLACED AT 90° TO SERIAL NUMBER END AND AT 270° ON THE OPPOSITE SIDE END**

ADAPTER KITS	
UP STREAM	DOWN STREAM

