

# CODELINE® - ECOLINE 25-300

## 2.5 INCH END ENTRY MEMBRANE HOUSING FOR COMMERCIAL APPLICATION

### MEMBRANE HOUSING DATASHEET

ARTICLE CODE: ECOLINE 25-300

#### GENERAL INFORMATION

Codeline Ecoline 25-300 is membrane housing of 2.5" diameter with end entry design. This is used for commercial RO applications upto a maximum operating pressure of 300 PSI. These are made up of epoxy / glass composite to meet the demands of long term and continuous use. Codeline Ecoline 25-300 can accommodate any standard make of 2.5" nominal diameter spiral-wound membrane element.

#### UNIQUE FEATURES

- Head assembly made of engineering thermoplastics for high strengths & superior chemical resistance
- Corrosion resistant superior quality with improved system performance
- Integrally formed locking grooves provide better locking strength
- Mirror Finish ID for easy & quick loading and unloading of membranes
- Exteriors coated with high gloss polyurethane paint for UV Resistance
- Head Seal Area is formed by mandrel surface; hence more accurate
- Compact design for use in compact and low energy water treatment units

#### CODELINE ECOLINE 25-300 SPECIFICATION\*

MODEL NUMBER	DRAWING NUMBER	MAX. OPERATING PRESSURE	MAX. OPERATING TEMPERATURE	QUALIFICATION PRESSURE	ELEMENT LENGTH
CODELINE ECOLINE 25-300	99359	300 PSI / 20 Bar	120 °F / 49 °C	1200 PSI / 82 Bar	- 14" (One) - 21" (One) - 40" (One)

\* Specifications are subjected to change without prior notice (for more details refer to model specific engineering drawings)

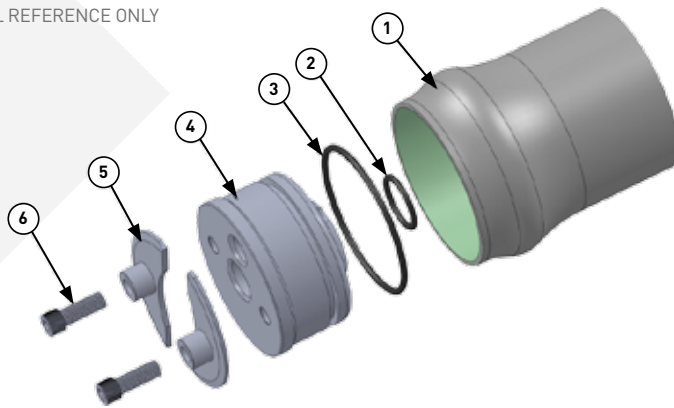
# CODELINE® - ECOLINE 25-300

## 2.5 INCH END ENTRY MEMBRANE HOUSING FOR COMMERCIAL APPLICATION

MEMBRANE HOUSING DATASHEET

### EXPLODED VIEW & DETAILS

A GENERIC VIEW FOR VISUAL REFERENCE ONLY



### PARTS TABLE

DRG REG	QTY	DESCRIPTION	MATERIAL	25-300
				PART NUMBER
1	1	Shell	Filament Wound Epoxy / Glass composite - Head Locking grooves integrally wound in place.	Order section
2	2	PWT Seal	Ethylene Propylene - O Ring	45296
3	2	Head Seal	Ethylene Propylene - O Ring	45313
4	2	End Plug	Engineering Thermoplastic	96005
5	4	Locking Segment	316 Stainless Steel	50371
6	4	Screw	304 Stainless Steel	45232
7*	AR	Saddle - Optional	Engineering Thermoplastic	45058
8*	AR	Strap - Optional	304 Stainless Steel - PVC Cushion	RO 1057

\* Not shown in the exploded view



CODELINE®

PENTAIR WATER INDIA PVT. LTD. L / 52 - 55, VERNA INDUSTRIAL ESTATE, VERNA, GOA, INDIA - 403 722 WWW.CODELINE.COM

Note: The information and data contained in this document are based on our general experience and are believed to be correct. They are given in good faith and are intended to provide a guideline for the selection and use of our products. Since the conditions under which our products may be used are beyond our control, this information does not imply any guarantee of final product performance and we cannot accept any liability with respect to the use of our products. The quality of our products is guaranteed under our conditions of sale. Existing industrial property rights must be observed.

DS CODELINE ECOLINE 25-300 EN 3915 © 2015 Pentair. All Rights Reserved.